

116 series

MINI JUMPER 2.54mm(0.100")

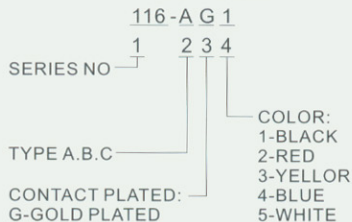
Specifications:

Contact Resistance: 30mΩ max.at DC 100 mA
 Insulator Resistance: 1000MΩ min.at DC 500V
 Current Rating:1AMP

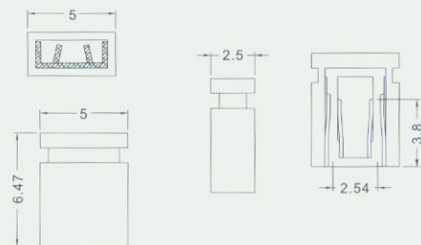
Dielectric Withstanding

Voltage: AC 500V For 1 minute
 Operating Temperature: -55° C--+105° C
 Contact: Phosphor Bronze
 Housing: PBT &30% Glass Fiber(UL 94V-0)

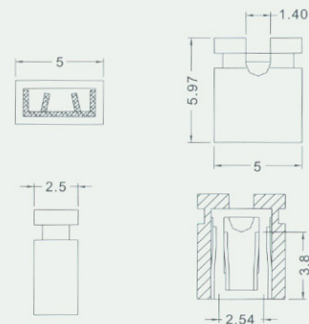
How To Order



[A TYPE]



[B TYPE]



[C TYPE]

